

KF-3

Bellow kit (for KL, KE/K, KD series cylinders)

The modular bellow kit is composed of 4 key elements: bellow, collar, joint and piston rod extension. The collar and the joint are assembled to the bellow by interlocking them at the ends.

The protective bellow has the function to prevent the piston rod and related seal from the contact with external agents, typical of applications where potentially aggressive substances are present.

There are three versions available:

- single for strokes up to 300 mm
- double for strokes up to 600 mm
- triple for strokes up to 900 mm

Bellows can be installed on KL, KE, K, KD series cylinders, with bores from Ø32 to Ø100. The kit has been designed so to be installed without the need of specific pre-setting.



TECHNICAL CHARACTERISTICS

Ambient temperature	-20 ÷ 80 °C
Cylinders bore	Ø 32 - 40 - 50 - 63 - 80 - 100 mm
Stroke	5 ÷ 900 mm

CONSTRUCTIVE CHARACTERISTICS

Bellow	NBR
Bellow support flange	black anodized aluminium
Joint	NBR
Piston rod	chromium-plated steel

CODIFICATION KEY

K	F	-	3	1	0	3	2
1			2		3		

1 Series	2 Type	3 Cylinder bore (mm)
KF-3 = Bellow for piston rod protection	1 = Single (stroke 5 ÷ 300 mm) 2 = Double (stroke 301 ÷ 600 mm) 3 = Triple (stroke 601 ÷ 900 mm)	032 = Ø32 040 = Ø40 050 = Ø50 063 = Ø63 080 = Ø80 100 = Ø100

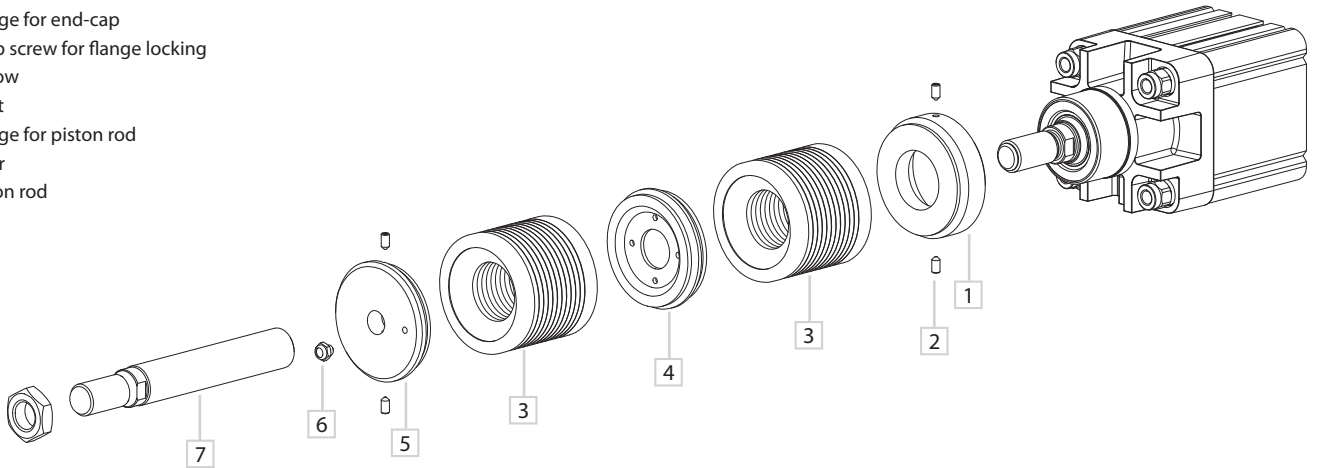
Cylinders series KL, KE/K, KD



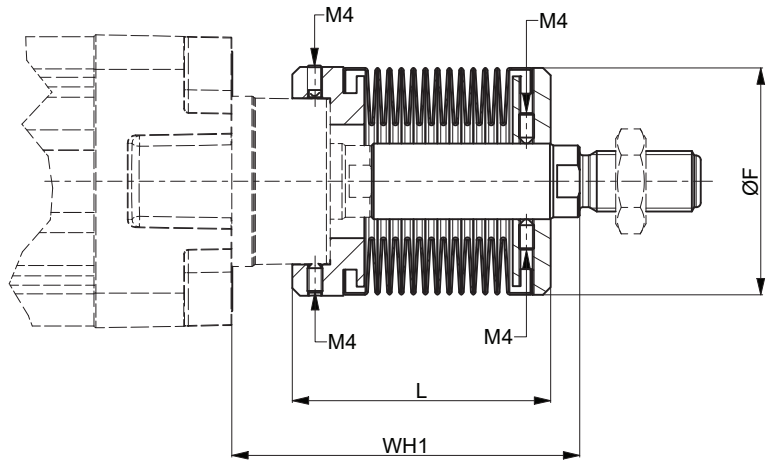
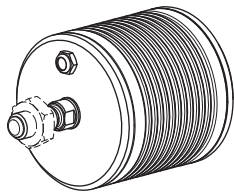
Bellows in silicon or EPDM rubber available upon request.

Components

- 1 Flange for end-cap
- 2 Grub screw for flange locking
- 3 Bellow
- 4 Joint
- 5 Flange for piston rod
- 6 Filter
- 7 Piston rod

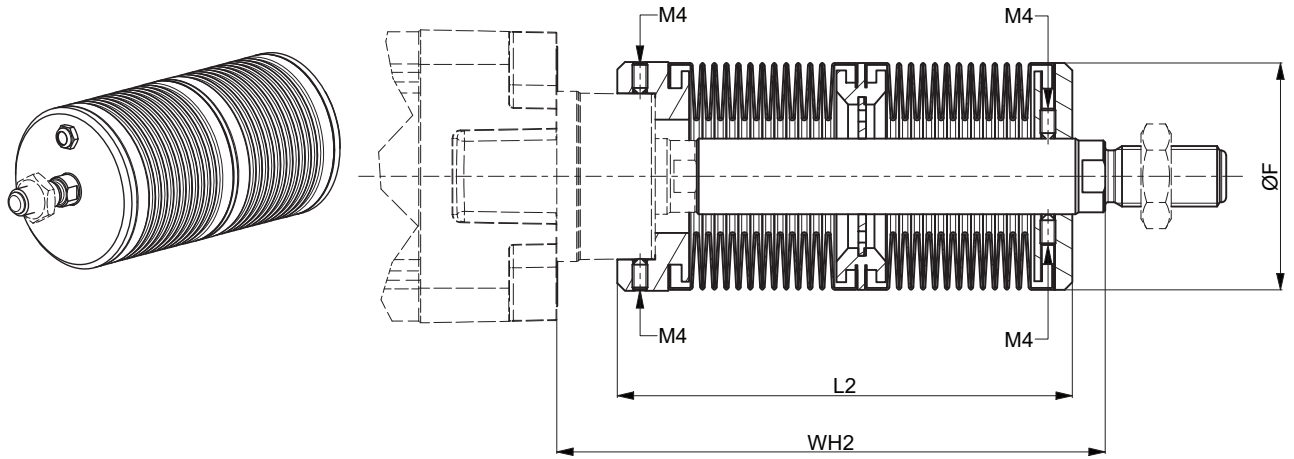


Single bellow



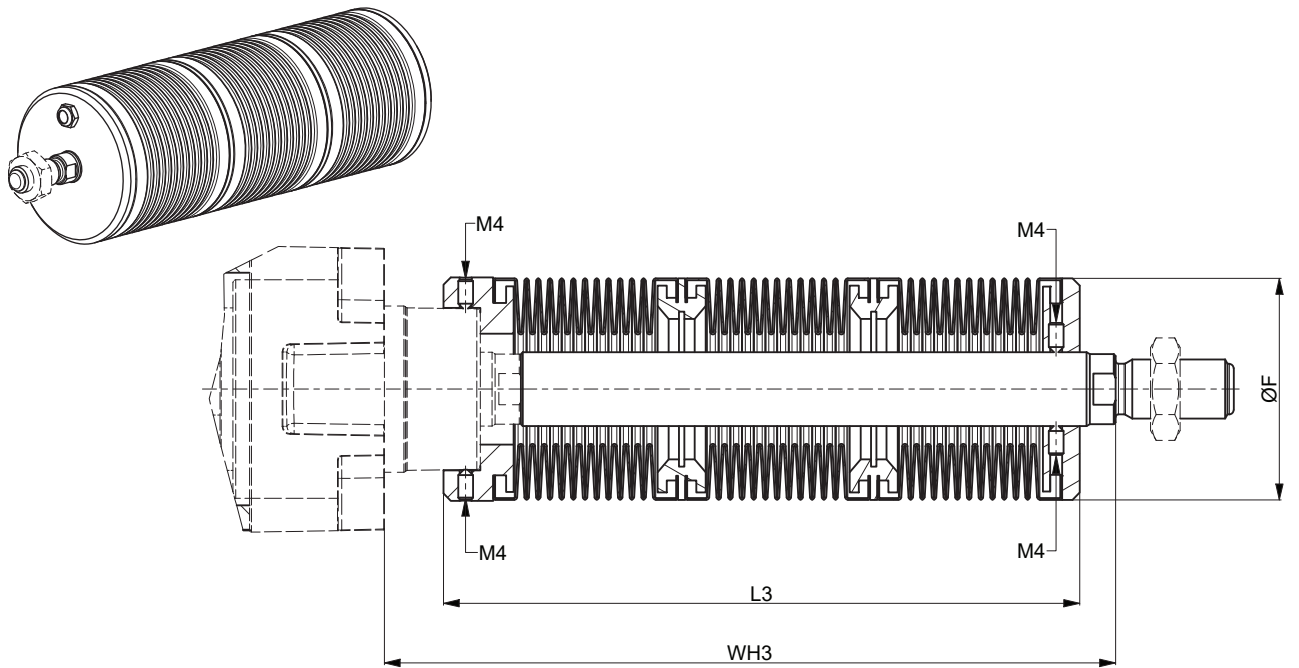
Ø	WH1	L close	L open	Ø F	Stroke	Part No.
32	73	60	60+Stroke	60	5 ÷ 300	KF-31032
40	75	60	60+Stroke	60	5 ÷ 300	KF-31040
50	92	70	70+Stroke	60	5 ÷ 300	KF-31050
63	92	70	70+Stroke	60	5 ÷ 300	KF-31063
80	102	76	76+Stroke	60	5 ÷ 300	KF-31080
100	107	78	78+Stroke	70	5 ÷ 300	KF-31100

Double bellow



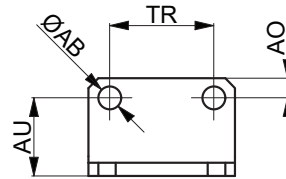
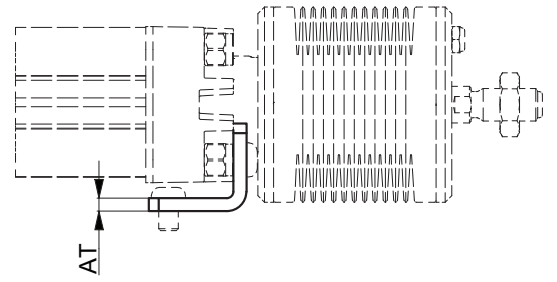
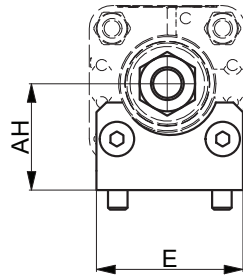
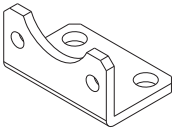
Ø	WH2	L2 close	L2 open	Ø F	Stroke	Part No.
32	124	112	112+Stroke	60	300 ÷ 600	KF-32032
40	127	112	112+Stroke	60	300 ÷ 600	KF-32040
50	145	122	122+Stroke	60	300 ÷ 600	KF-32050
63	145	122	122+Stroke	60	300 ÷ 600	KF-32063
80	153	128	128+Stroke	60	300 ÷ 600	KF-32080
100	158	130	130+Stroke	70	300 ÷ 600	KF-32100

Triple bellow



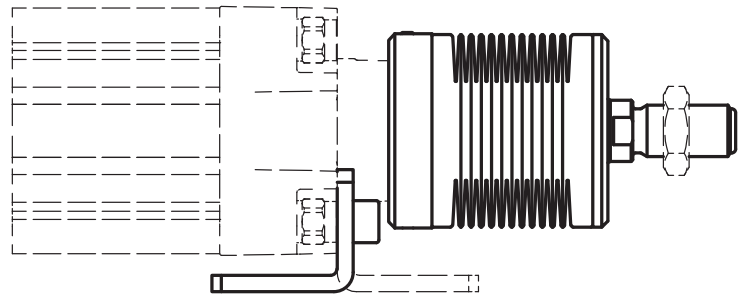
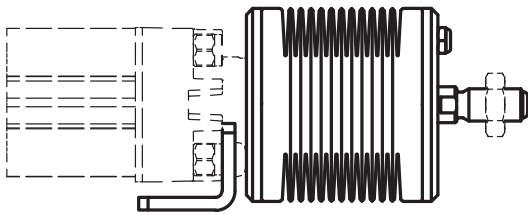
Ø	WH3	L3 close	L3 open	Ø F	Stroke	Part No.
32	177	164	164+Stroke	60	600 ÷ 900	KF-33032
40	178	164	164+Stroke	60	600 ÷ 900	KF-33040
50	198	175	175+Stroke	60	600 ÷ 900	KF-33050
63	198	175	175+Stroke	60	600 ÷ 900	KF-33063
80	208	180	180+Stroke	60	600 ÷ 900	KF-33080
100	213	182	182+Stroke	70	600 ÷ 900	KF-33100

Angle bracket assembly



Version with flat head screws
CYLINDER Ø32 mm

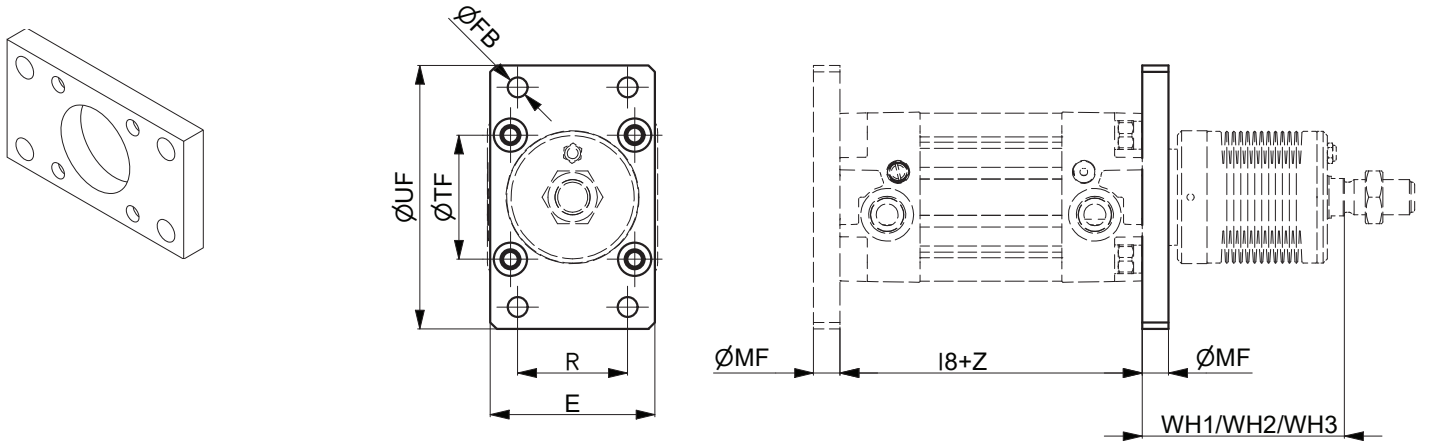
Standard version
CYLINDER Ø40 ÷ 100 mm



For Ø32 the angle bracket can be mounted only inwards

Ø	ØAB	AH	AO	AT	AU	E	TR	Mass	Part no.
	H13	JS15							
32	7	32	6	4	24	45	32	55	KF-13032
40	9	36	8	4	28	52	36	80	KF-13040
50	9	45	10	5	32	64	45	146	KF-13050
63	9	50	12	5	32	74	50	175	KF-13063
80	12	63	15	6	41	94	63	390	KF-13080
100	14	71	20	6	41	114	75	525	KF-13100
125	16	90	15	8	45	140	90	1040	KF-13125

Front/rear flange assembly



For Ø32 the flange can be mounted only on the rear side

Ø	E	ØFB	l8		MF	R	TF	UF	Mass g	Part no.
		H13			± 0,2	JS14	JS14	Max		
32	45	7	94	±0,4	10	32	64	80	200	KF-12032
40	52	9	105	±0,7	10	36	72	90	250	KF-12040
50	65	9	106	±0,7	12	45	90	110	500	KF-12050
63	75	9	121	±0,8	12	50	100	120	650	KF-12063
80	95	12	128	±0,8	16	63	126	150	1500	KF-12080
100	115	14	138	±1	16	75	150	170	2200	KF-12100
125	140	16	160	±1	20	90	180	205	4100	KF-12125

NOTE: for other accessories please refer to related cylinder catalogue



Industrial Automation

UNIVER S.p.A.

Headquarters

I - 20128 **Milano**
Via Eraclito, 31
Tel. +39 02 25298.1
Fax +39 02 2575254
info@univer-group.com
www.univer-group.com

UNIVER SERVICE S.r.l.

Headquarters

I - 20128 **Milano**
Via Empedocle, 20
Tel. +39 02 25298.1
Fax +39 02 25298370
universervice@universervice.it
www.universervice.it

Branch offices

LOMBARDIA

I - 20099 - Sesto San Giovanni **Milano**
Via G. di Vittorio, 307/20
Tel. +39 02 26261304
Fax +39 02 24300375
universervice@universervice.it

PIEMONTE/LIGURIA/VALLE D'AOSTA

I - 10071 Borgaro Torinese **Torino**
Via Veneto, 18
Tel. +39 011 4501871
Fax +39 011 4502898
torino@universervice.it

VENETO/FRIULI VENEZIA-GIULIA

TRENTINO-ALTO ADIGE

I - 30030 Vigonovo **Venezia**
Via Prima strada 16/A - Loc. Galta
Tel. +39 049 9834140
Fax +39 049 9833972
vigonovo@universervice.it

EMILIA ROMAGNA - CENTRO/SUD

I - 40069 Zola Predosa **Bologna**
Via Guido Rossa, 21
Tel. +39 051 753907
Fax +39 051 6184751
bologna@universervice.it

UNIVER DO BRASIL S/A

BRASILE - 13474-764
Americana São Paulo - SP
Rua do Polyester, 29
Distrito Industrial Abdo Najar
Tel. +55 19 3113-9400
Fax +55 19 3113-9405
atendimento@univer.com.br

UNIVER CHINA

CINA - Shanghai
399 Fu Te North Road,
Free Zone, Pudong
info@univer-china.com

UNIVER FRANCE S.a.s.

FRANCIA - 68000

Colmar

1, rue Denis Papin
Tel. +33 3 89210900
Fax +33 3 89216850
info@univer-france.fr

UNIVER G.m.b.H.

GERMANIA - D-65428

Rüsselsheim

Eisenstraße 51
Tel. +49 6142 408320
Fax +49 6142 4083290
info@univer-gmbh.de

UNIVER NORTH AMERICA

USA - 48312

Sterling Heights - Michigan

6620 Cobb Drive
Tel. +1 248 299 0525
Fax +1 248 299 0528
info@univer-group.us

UNIVER POLSKA Sp. z o.o.

POLONIA - 25-663

Kielce

ul. K. Olszewskiego 21E
Tel. +48 41 278 72 53
Fax +48 41 278 72 54
univer@univer-group.pl

UNIVER S.L.

SPAGNA - 08210

Barbera Del Valles Barcelona

Ronda Industria, 26 - 28
Tel. +34 93 7297360
Fax +34 93 7297380
univer@univerweb.com

Distributors worldwide:

Get in touch with UNIVER Sales Department
or visit our website www.univer-group.com



www.univer-group.com